



Vectron Systems AG – Data sheet

Vectron POS Vario

January 2010

Technical data – Hardware

- 10,4" (26,4 cm) TFT color display, steplessly adjustable and splash-proof, integrated in housing, resolution 640 x 480 pixels, max. 256 colors
- optional TouchScreen
- optional internal customer display and connection for external customer displays
- flat or raised keyboard with 108 fully configurable keys
- housing color anthracite, standard equipment with high-quality special steel applications (buttons and product logos)
- modern 64-Bit processor with 131 MHz clock pulse frequency
- 2 MB RAM (battery-buffered), upgrade to 4, 6 or 10 MB available
- 8 MB Flash-ROM for ECR software
- 10/100BaseT Ethernet-connection for network operation
- six serial ports for printers, scanners, card terminals, dispensing systems, etc.
- parallel port for mono-directional printer
- two USB ports (Host & Function)
- two ports for up to four cash drawers with „Open Sensor“
- one PS/2 port for PC-keyboard and PC-mouse
- external power supply (100-240V / contained in delivery)
- standard lock ‚Dallas iButton‘, alternatively available in magnetic design, optionally with lock systems ‚EasyReader‘ or ‚Addimat‘
- 0 ... 40°C operating temperature
- -10 ... +50°C storage temperature



Vectron POS Vario
with flat keyboard



Vectron POS Vario
with raised keyboard

Certificate: CE



Vectron

Leading in POS Technology

Vectron Systems AG
Willy-Brandt-Weg 41
48155 Muenster / Germany
www.vectron.de



© Vectron Systems AG
Subject to error and technical modifications

Technical data – Software

- 100.000 PLUs*
- 65.535 departments*
- 1.000 clerks*
- 65.535 guest checks or customers*
- 200 cash registers per network*
- 100 printers per network*

*) The indicated values are maximum values, which can only be reached with special programming and optimum hardware equipment. Please contact your specialist dealer to assist you with your special requirements.

Weight

- including customer display and lock approx. 4.200 g

Optional accessories

- Memory extension (+ 2/4/8 MB RAM, 1 GB Flash)
- Internal/external customer display
- Table stand in special steel
- Various clerk locks (see price list)
- Various peripherals (printers, scanners, cash drawers, card readers, etc. / details see price list)

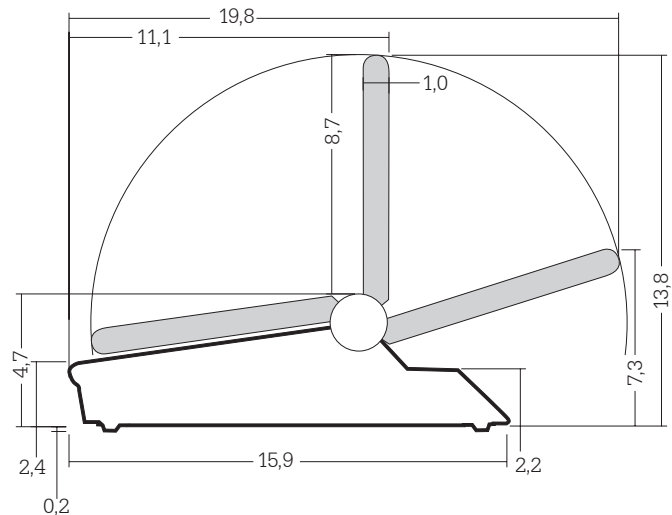
Shipment

Standard delivery of the Vectron POS Vario comprises:

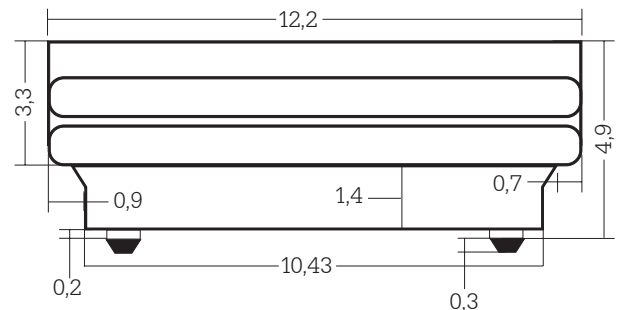
- One Vectron POS Vario, equipment according to order
- External power supply Vectron PS10
- National mains plug
- Clerk lock according to order
- User manual
- Dispatch box
- Software license according to order

Dimensions

Dimensions are indicated in inch (1 inch = 25,4 mm).



Dimensions without feet.



Vectron

Leading in POS Technology