



Vectron Systems AG – Data sheet

Vectron POS MobilePro charging station

September 2005

Technical data

- Charging station for simultaneous charging of one terminal and two batteries
- Terminal can be operated in the charging station
- PC-ABS-plastic housing with metal bottom
- Permissible supply voltage 12 - 30V
- Max. power consumption depending on voltage
- Max. wattage 30W
- External power supply:
 - input voltage 90 - 240V
 - output voltage 24V max. 1,25A
 - country-specific adapter
- Charging time approx. 2,5 h
- Temperature range (operating condition):
0° - 40°C (for reasons of safety batteries are only charged as of 5°C)
- 4 rubber feet
- Weight: approx. 600 g

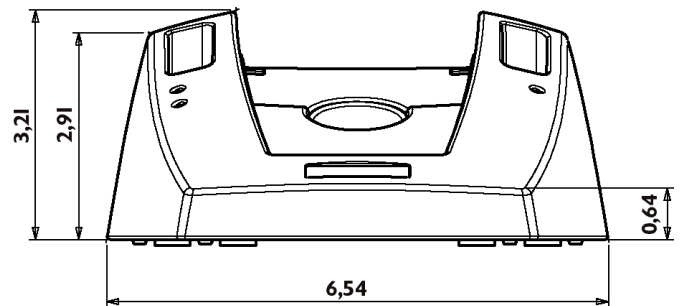
Certificate: CE

Shipment

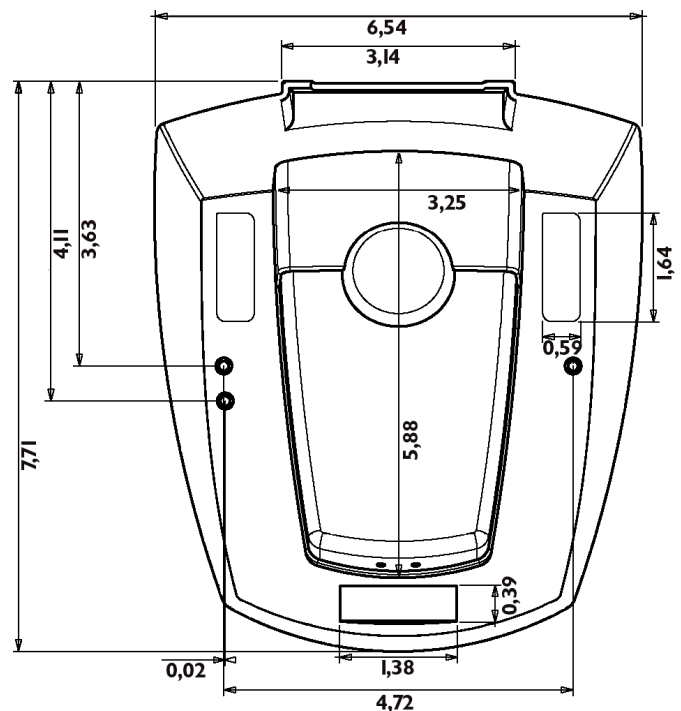
Standard delivery of the Vectron POS MobilePro charging station includes:

- Charging station for one terminal and two batteries
- External power supply
- Dispatch box VPOS MobilePro charging station

Dimensions



Charging station front - dimensions in inch



Charging station top - dimensions in inch

